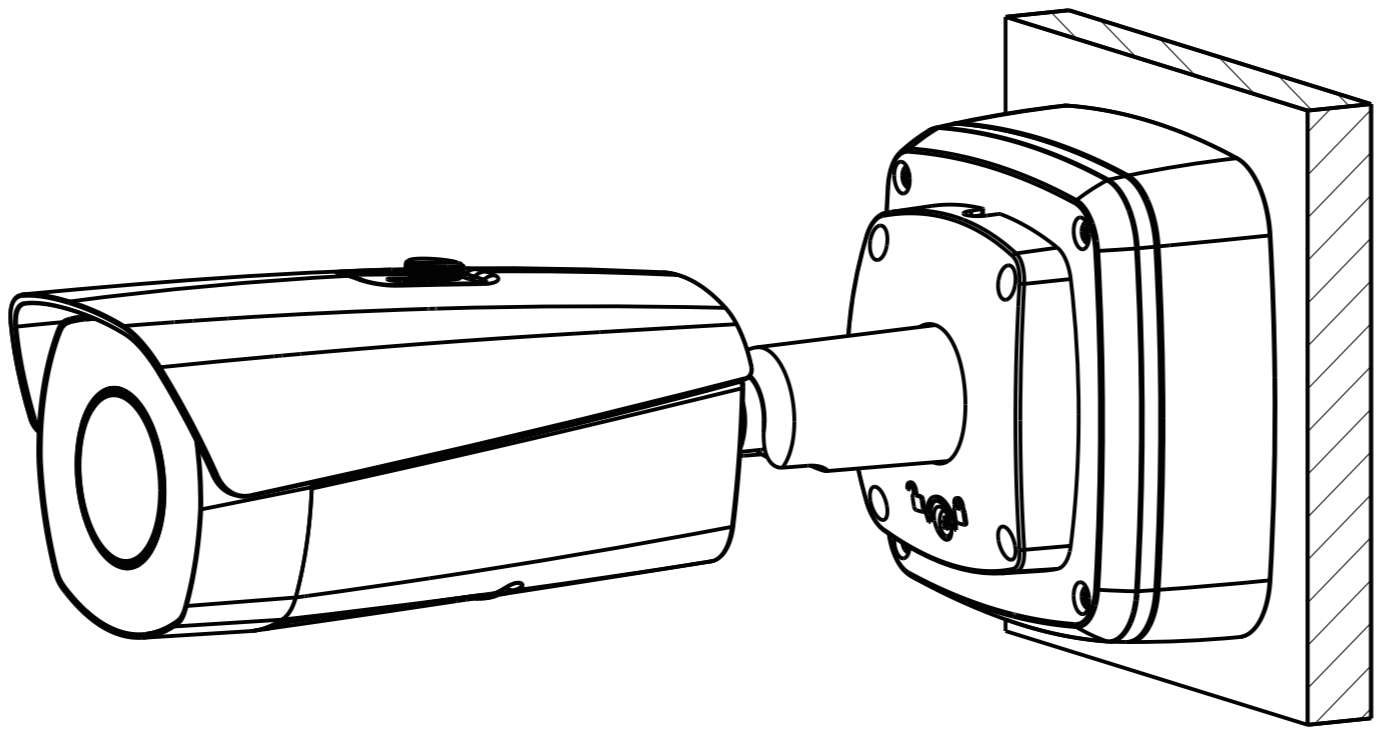
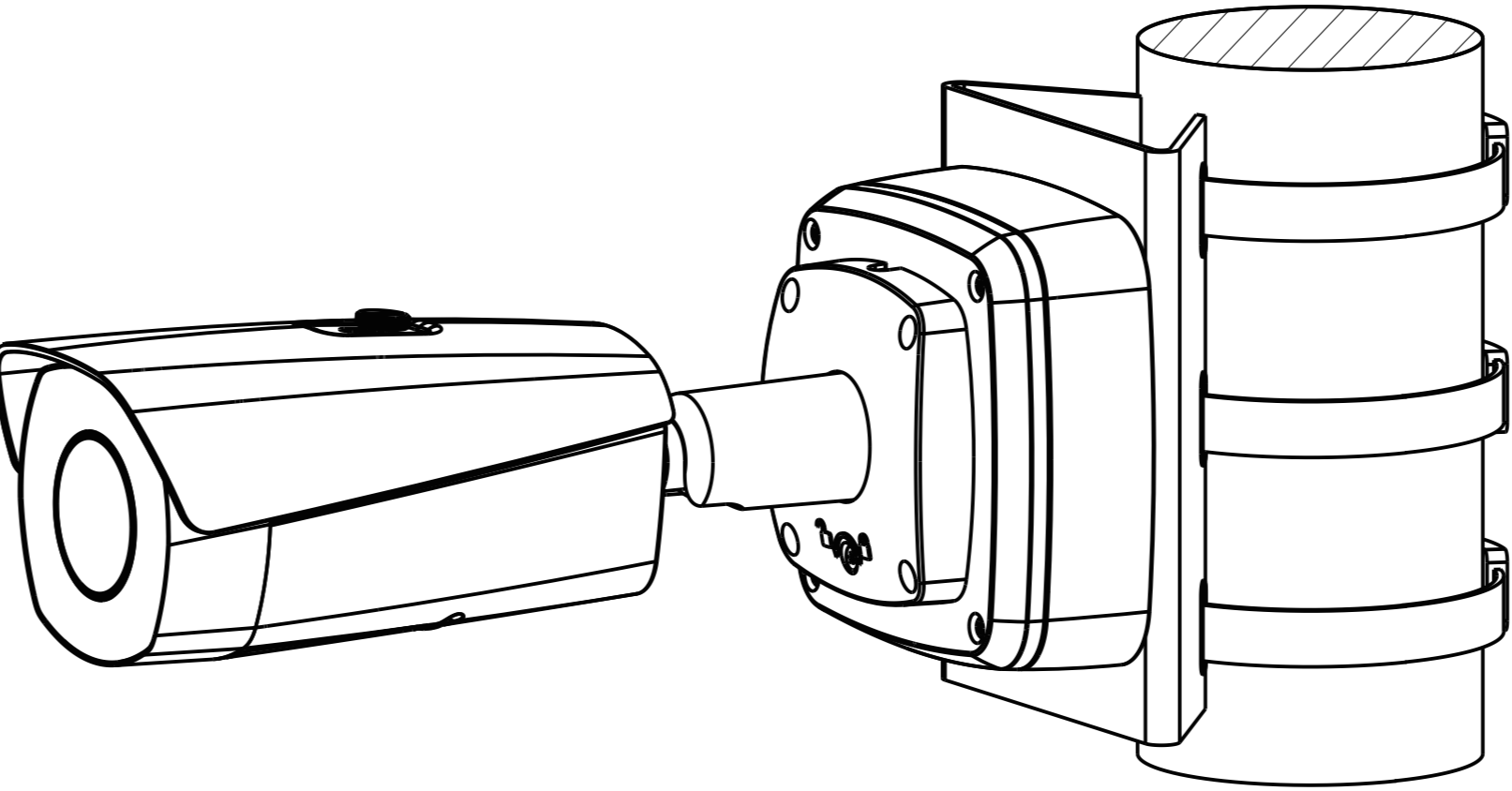


Junction Mount	Pole Mount
PFA121	PFA121 + PFA152
 A technical line drawing showing a cylindrical camera lens assembly connected to a square junction box. The junction box is mounted on a flat surface, indicated by a hatched rectangular area behind it. The camera lens is positioned to the left of the junction box, pointing towards the viewer.	 A technical line drawing showing a cylindrical camera lens assembly connected to a square junction box. The junction box is mounted on a vertical pole, indicated by a cylindrical structure with horizontal bands behind it. The camera lens is positioned to the left of the junction box, pointing towards the viewer.