

# DH-PFA120

## Junction Box



### Features

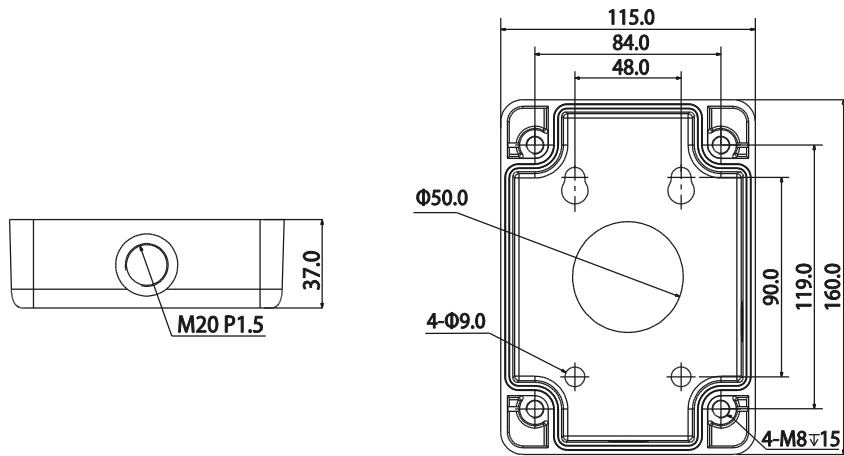
- Material: Aluminum
- Junction Box
- Neat & Integrated design

### Specifications

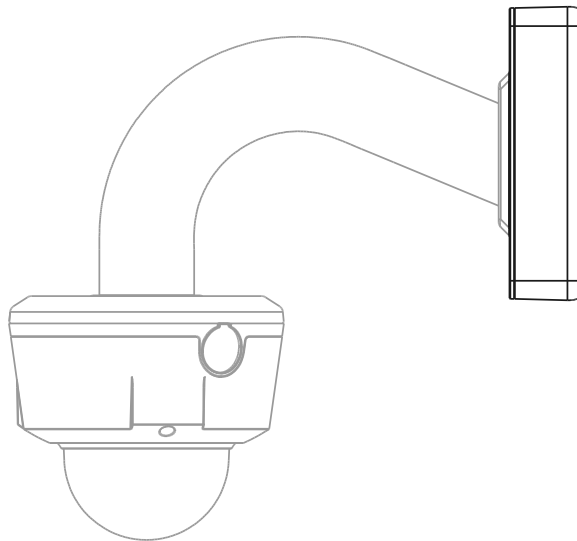
Model	DH-PFA120
<b>General</b>	
Material	Aluminum
Dimension (W x H x D)	115mm x 160mm x 37mm
Pipe Thread	N/A
Operating Temperature	-40°C ~60°C
Humidity	0~90% RH
Load Bearing	7Kg
Weight	0.5Kg
Applicable Model	PFB300S, PFB300W, PFB301W

# DH-PFA120

## Dimensions (mm)



## Application



### Dahua Technology USA Inc.

23 Hubble, Irvine Spectrum, CA92618, USA

Tel: +001-949 679 7777

Fax: +001-949 679 5760

Email: support.usa@dahuatech.com

www.dahuatech.us

\*Design and specifications are subject to change without notice.

© 2014 Dahua Technology