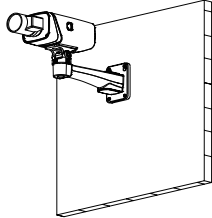
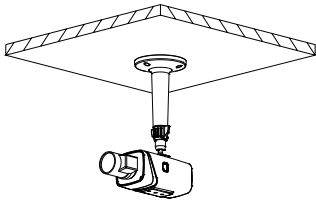


Wall Mount	Wall/Ceiling/Plane Mount
PFB121W	PFB110W
 A technical line drawing showing a camera mounted on a wall. The camera is attached to a bracket that is secured to a vertical rectangular surface representing the wall. The camera is angled downwards and to the left.	 A technical line drawing showing a camera mounted to a ceiling or plane. The camera is suspended from a circular mounting plate that is attached to a square surface representing the ceiling. The camera is angled downwards.